

NITECORE®

The All-Round Flashlight Expert

HC30 User Manual

Features

- Compact full-metal body provides incomparable portability
- Utilizes a CREE XM-L2 U2 LED for a maximum output up to 1000 Lumens
- High efficiency circuit board provides up to 330 hours runtime on one 18650 Li-ion battery or two CR123 batteries
- Five brightness levels and three concealed special modes to select from
- Direct access to turbo mode
- Incorporates innovative Precision Digital Optics Technology
- Featuring Advanced Temperature Regulation (ATR) technology to dynamically adjust output performance based on its internal temperature
- Special head switch for quick operation with one hand
- Reverse polarity protection prevents damage from incorrectly inserted batteries
- Toughened ultra-clear mineral glass with anti-reflective coating
- Constructed from aerospace grade aluminum alloy
- Robust HAIII military grade hard-anodized
- Comfortable chafe-free and breathable nylon headband
- Waterproof in accordance with IPX8 (two-meter submersible)
- Impact resistant to 1 meter
- Tail-stand capability

Specifications

Length: 3.86" (98.0mm)
 Head diameter: 0.95" (24.2mm)
 Tube diameter: 0.94" (23.8mm)
 Weight: 1.42oz (40.3g, without battery)

Accessories

Spare O-ring, button cover, Clip, head band, holder, diffuser

Battery Options

	TYPE	Nominal voltage	Compatible
18650 Rechargeable Li-ion battery	18650	3.7V	Y (Recommended)
Primary Lithium battery	CR123	3V	Y (Recommended)
Rechargeable Li-ion battery	RCR123	3.7V	Y

Output & Runtime

FL1 STANDARD	TURBO	HIGH	MID	LOW	LOWER	STROBE	SOS	LOCATION BEACON
	1000 LUMENS	400 LUMENS	210 LUMENS	70 LUMENS	1 LUMEN	1000 LUMENS	1000 LUMENS	1000 LUMENS
	1h	3h30min	7h15min	15h15min	330h	—	—	—
	162m	102m	68m	38m	5m	—	—	—
	6600cd	2600cd	1150cd	370cd	6.5cd	—	—	—
	1m (Impact Resistant)							
	IPX8, 2m (Waterproof AND Submersible)							

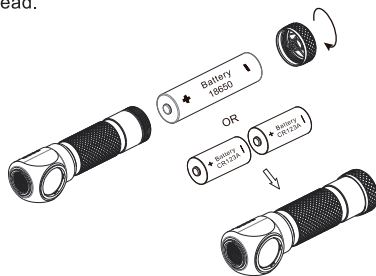
NOTICE

The above data has been measured in accordance with the international flashlight testing standards ANSI/NEMA FL1 using one x 3.7V 3400mAh 18650 battery under laboratory conditions. The data may vary slightly during real-world use due to battery type, individual usage habits and environmental factors.

Operating Instructions

Battery Installation

As illustrated, insert batteries with the positive (+) end facing towards the head.



Caution

DO NOT direct the beam towards human or animal eyes when using HC30.

On/Off Operation

To turn HC30 on in direct ultralow mode: with HC30 turned off, press the switch until a "click" is heard;

To turn HC30 on in general mode: with HC30 turned off, press the switch for over one second. HC30 has memory effect for brightness in this mode. When it is turned on, HC30 will directly enter the brightness level last used.

To turn HC30 off: with HC30 turned on, press the switch for over one second.

Note: In standby mode, HC30 can stand by for over two years with one 18650 battery.

Brightness Levels

With HC30 turned on, press the switch to cycle through brightness levels: low, medium, high, turbo, ultralow.

Instant Turbo

With HC30 turned off, press the switch for over two seconds to enter turbo (1000 Lumens). To exit, press the switch for over one second to turn HC30 off.

Special Modes (Strobe/SOS/Location Beacon)

With HC30 turned off, double-click the switch to enter strobe. Press the switch to cycle through SOS-location beacon-strobe modes. To exit, press the switch for over one second to turn HC30 off.

Lockout Mode

Loosen the tail cover to lock out HC30 to avoid accidental activation.

Advanced Temperature Regulation(ATR)

Advanced temperature regulation (ATR) technology allows HC30 to dynamically adjust output performance according to its internal temperature, thus maintaining its internal temperature below 55 degree Celsius. This prevents damage from overheating and prolongs its working life.

Maintenance

Every 6 months, threads should be wiped with a clean cloth followed by a thin coating of silicon-based lubricant.

Warranty Details

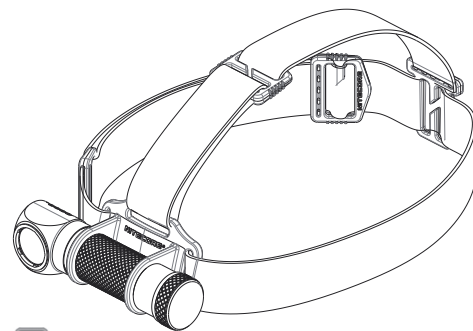
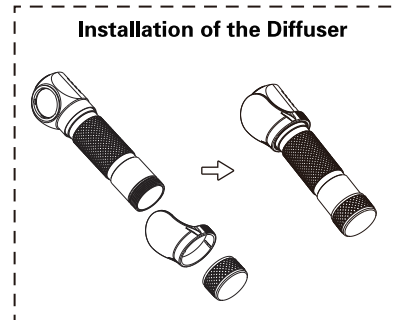
Our authorized dealers and distributors are responsible for warranty service. Should any problem covered under warranty occurs, customers can contact their dealers or distributors in regards to their warranty claims, as long as the product was purchased from an authorized dealer or distributor. NITECORE's Warranty is provided only for products purchased from an authorized source. This applies to all NITECORE products.

Any DOA / defective product can be exchanged for a replacement through a local distributor/dealer within the 15 days of purchase. After 15 days, all defective / malfunctioning NITECORE® products can be repaired free of charge for a period of 60 months (5 years) from the date of purchase. Beyond 60 months (5 years), a limited warranty applies, covering the cost of labor and maintenance, but not the cost of accessories or replacement parts.

The warranty is nullified if the product(s) is/are broken down, reconstructed and/or modified by unauthorized parties, or damaged by batteries leakage.

For the latest information on NITECORE® products and services, please contact a local NITECORE® distributor or send an email to service@nitecore.com.

※ All images, text and statements specified herein this user manual are for reference purpose only. Should any discrepancy occurs between this manual and information specified on www.nitecore.com. SYSMAX Innovations Co., Ltd. reserves the rights to interpret and amend the content of this document at any time without prior notice.



Please find us on facebook: NITECORE Flashlight

SYSMAX Innovations Co., Ltd.

TEL: +86-20-83862000

FAX: +86-20-83882723

E-mail: info@nitecore.com

Web: www.nitecore.com

Address: Rm 2601-06, Central Tower, No.5 Xiancun Road, Tianhe District, Guangzhou, 510623, Guangdong, China



Made in China

HC13063019

Thanks for purchasing NITECORE!